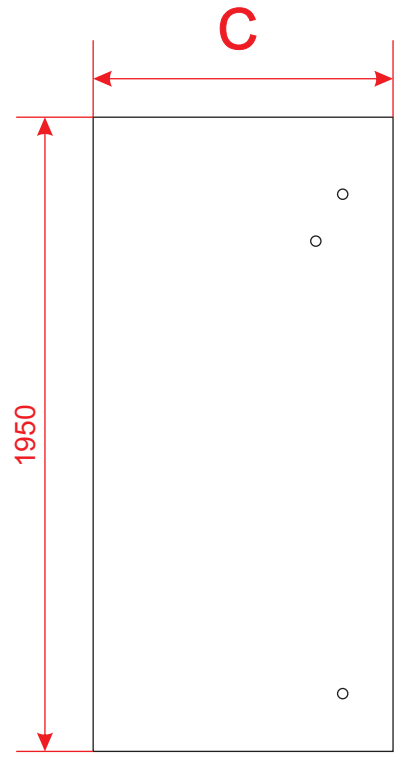
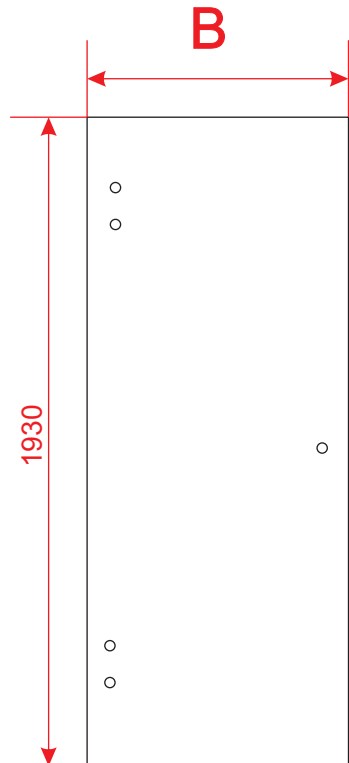
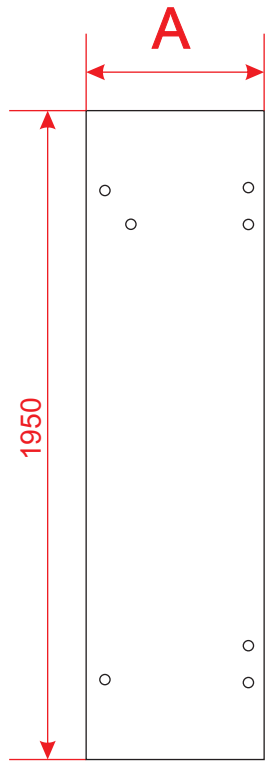
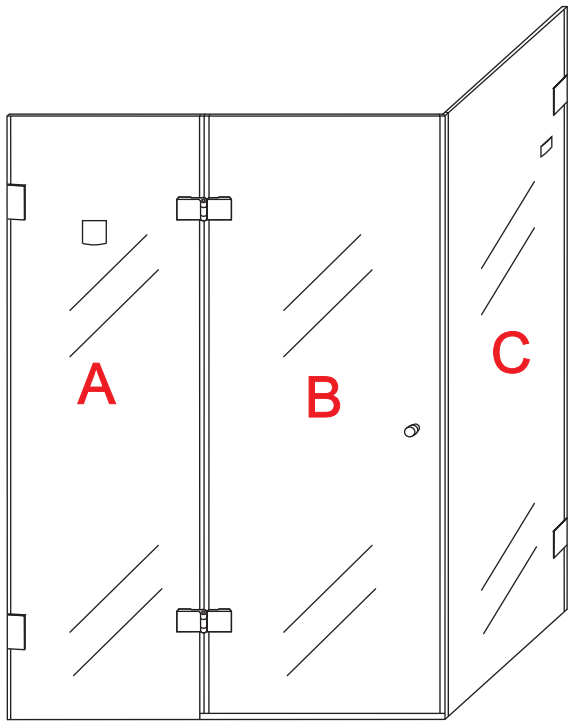
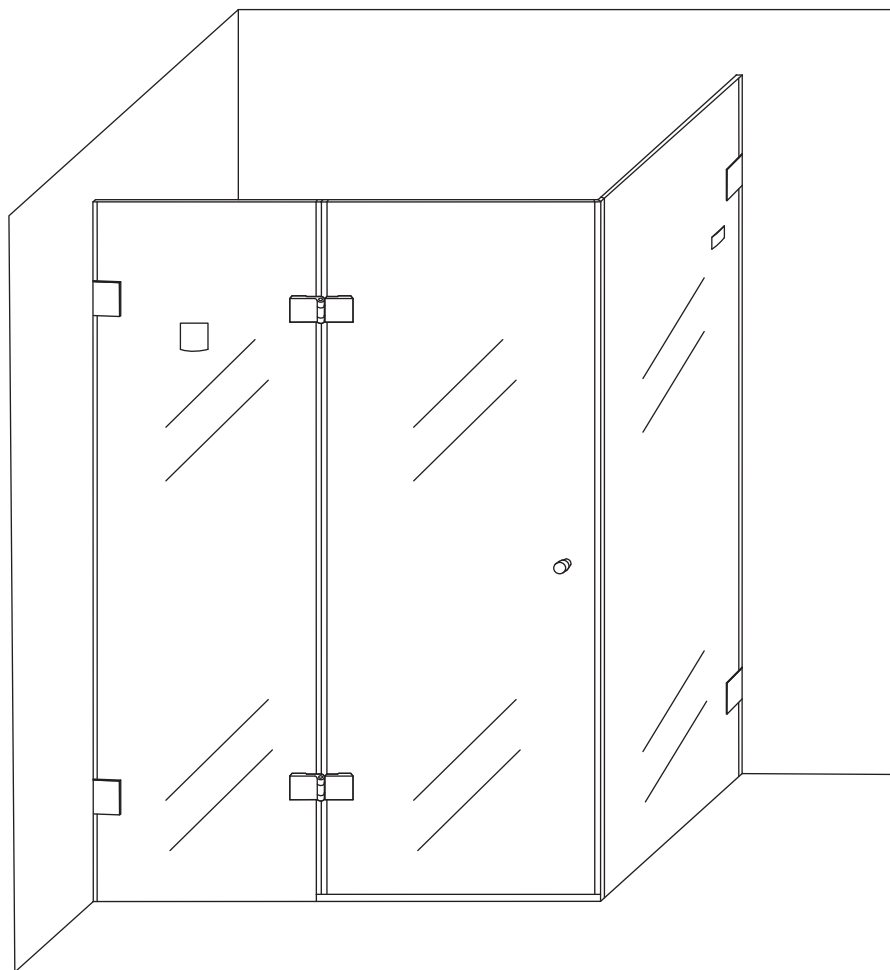


size	A	B	C
800X800X1950	220	530	760
900X900X1950	270	580	860

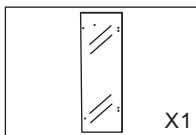
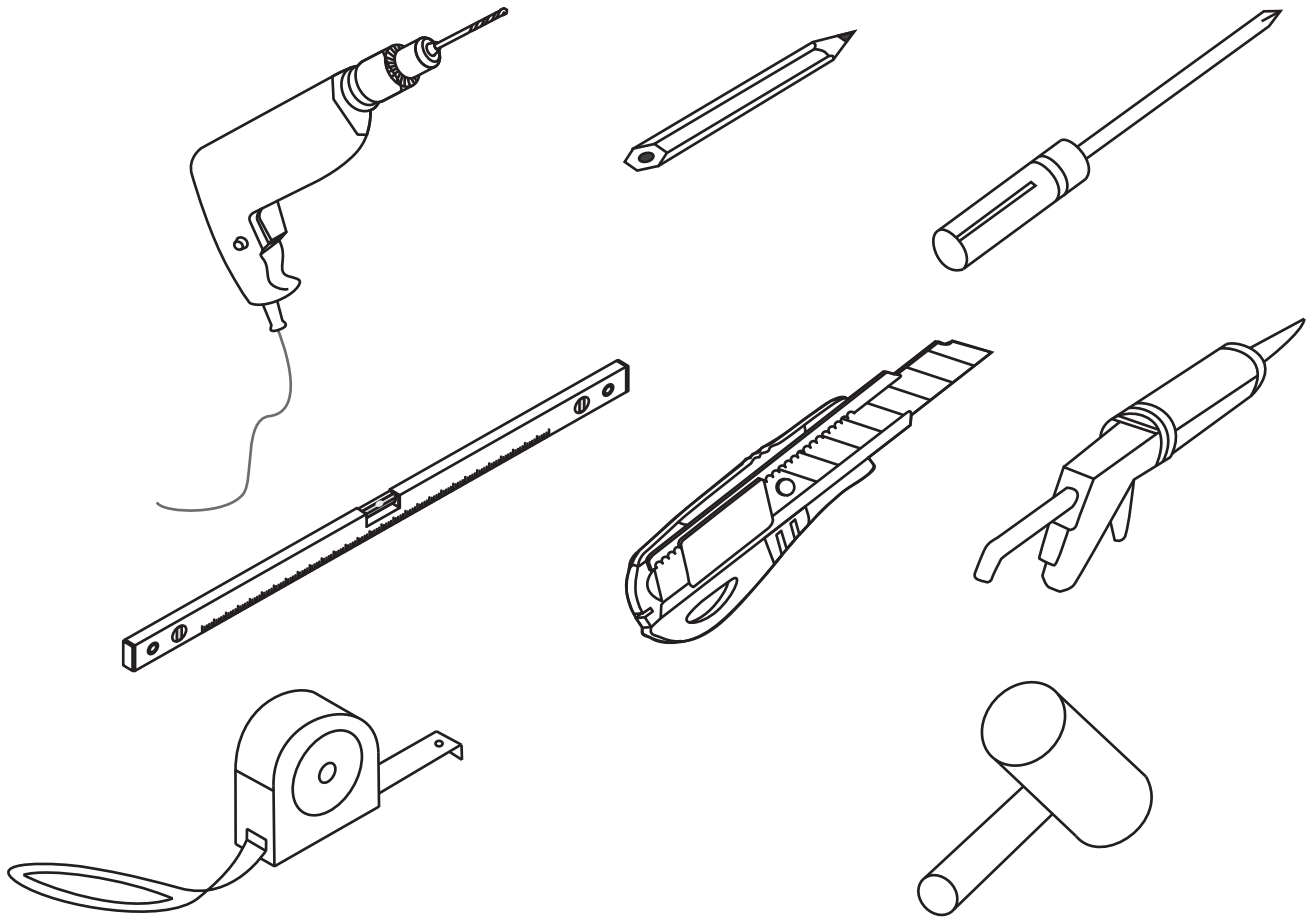


INSTALLATION MANUAL



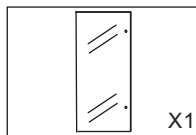
CR-KM8080/CR-KM9090

RoHS **CE** ISO9001:2015



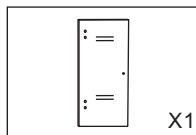
X1

Glass



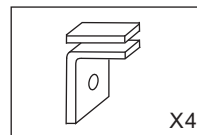
X1

Glass



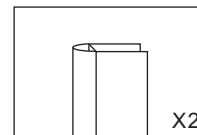
X1

Glass



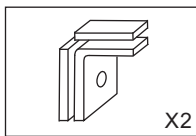
X4

PJ-4322



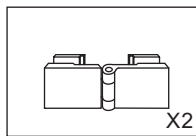
X2

CT-8DSTC



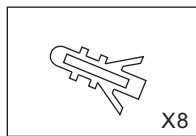
X2

PJ-4323



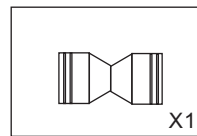
X2

HY-3319



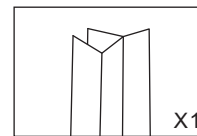
X8

Expand tube



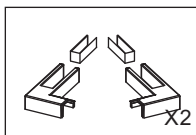
X1

LS-1202



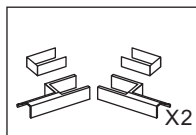
X1

water-proof gasket



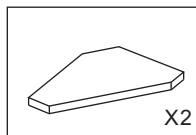
X2

PJ-4789



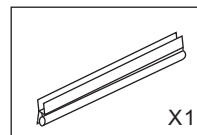
X2

PJ-4789



X2

Glass



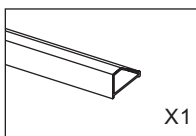
X1

water-proof gasket



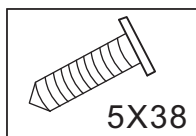
X1

magnetic stripe



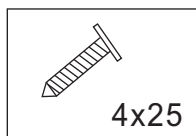
X1

Aluminum bottom bar



5X38

screw

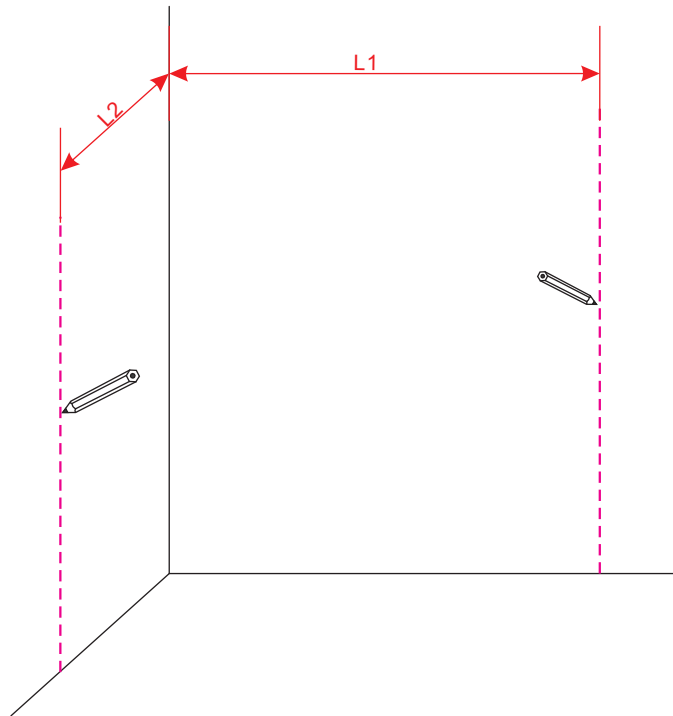


4x25

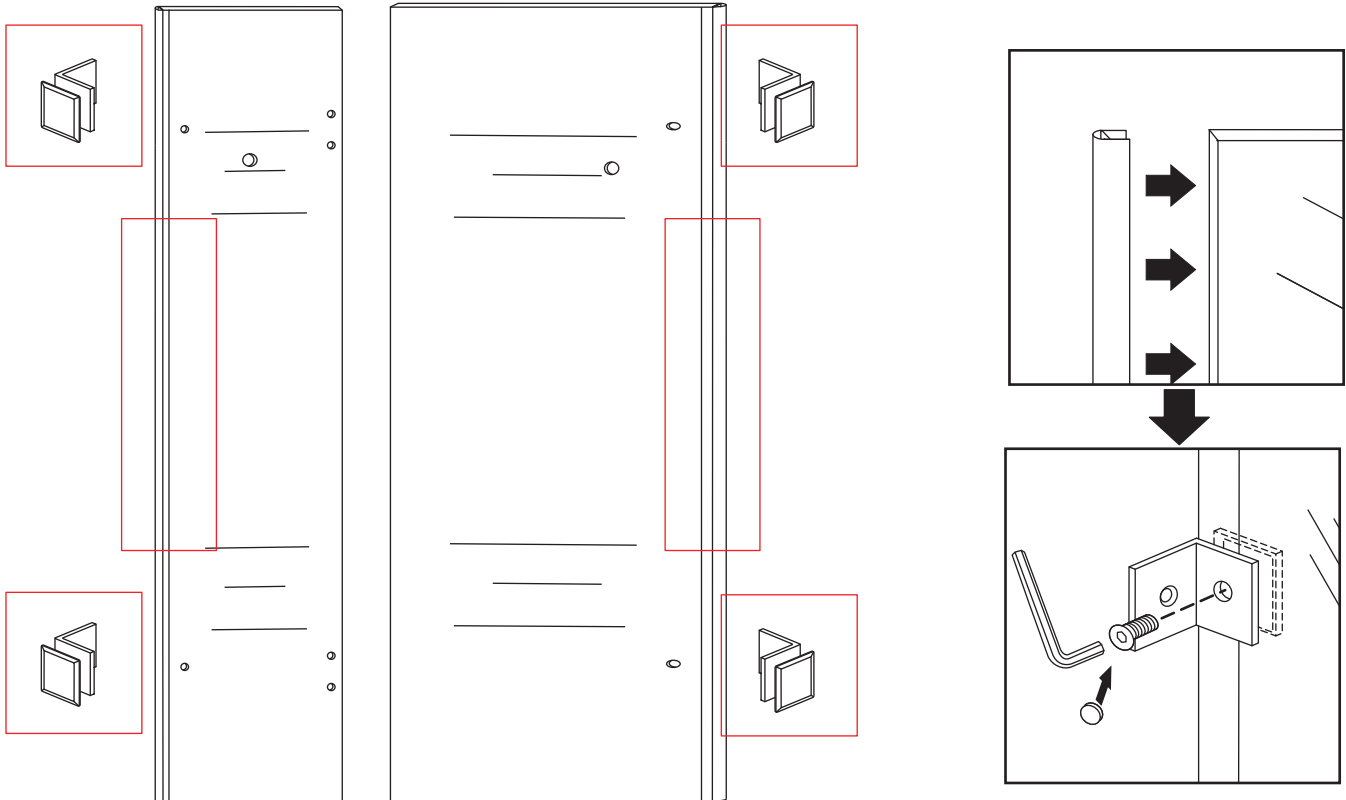
screw

1. Use pencil and ruler draw the vertical installation line

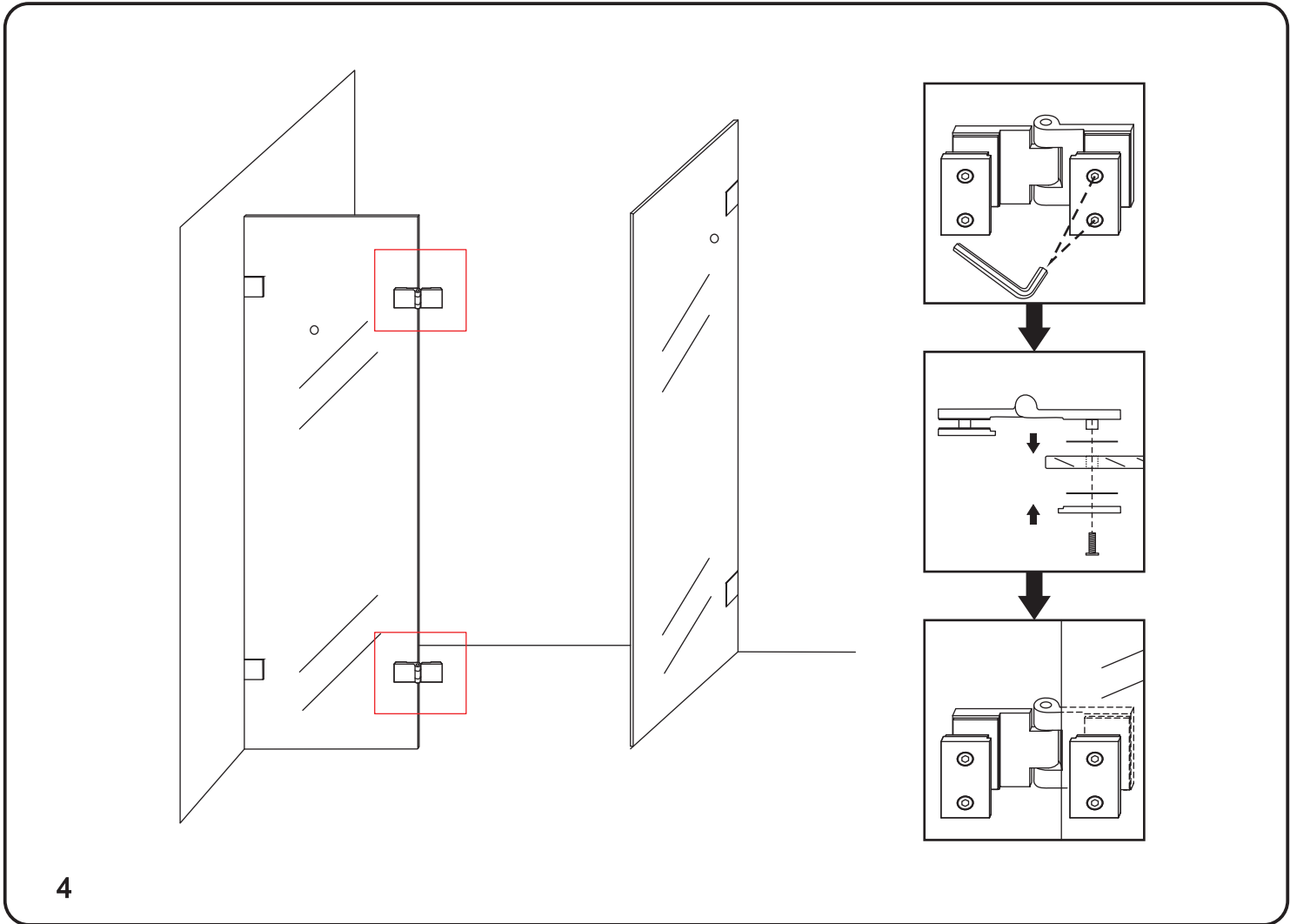
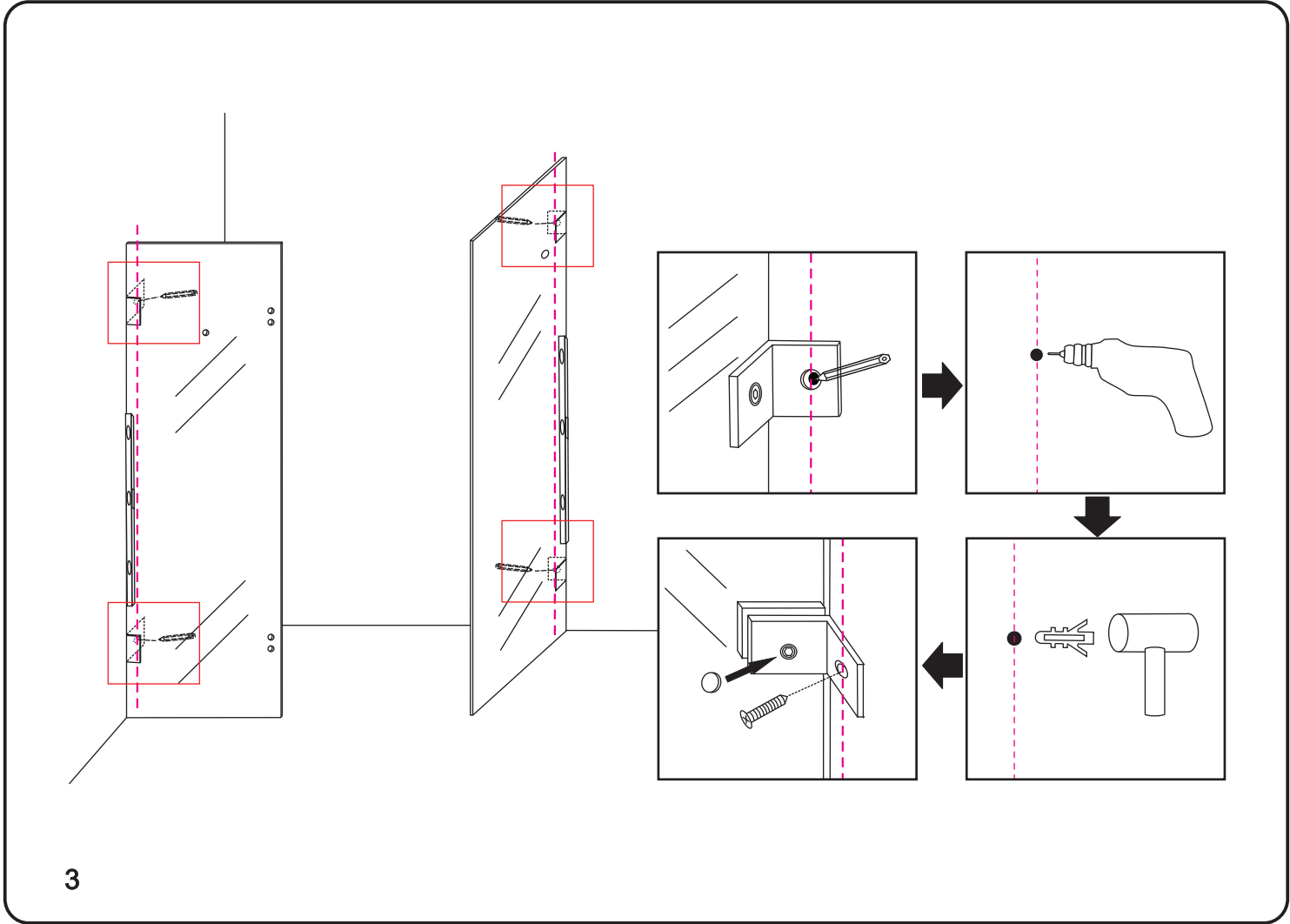
shower enclosure size	The installation size L1	The installation size L2
900X900	845	845
800X800	745	745

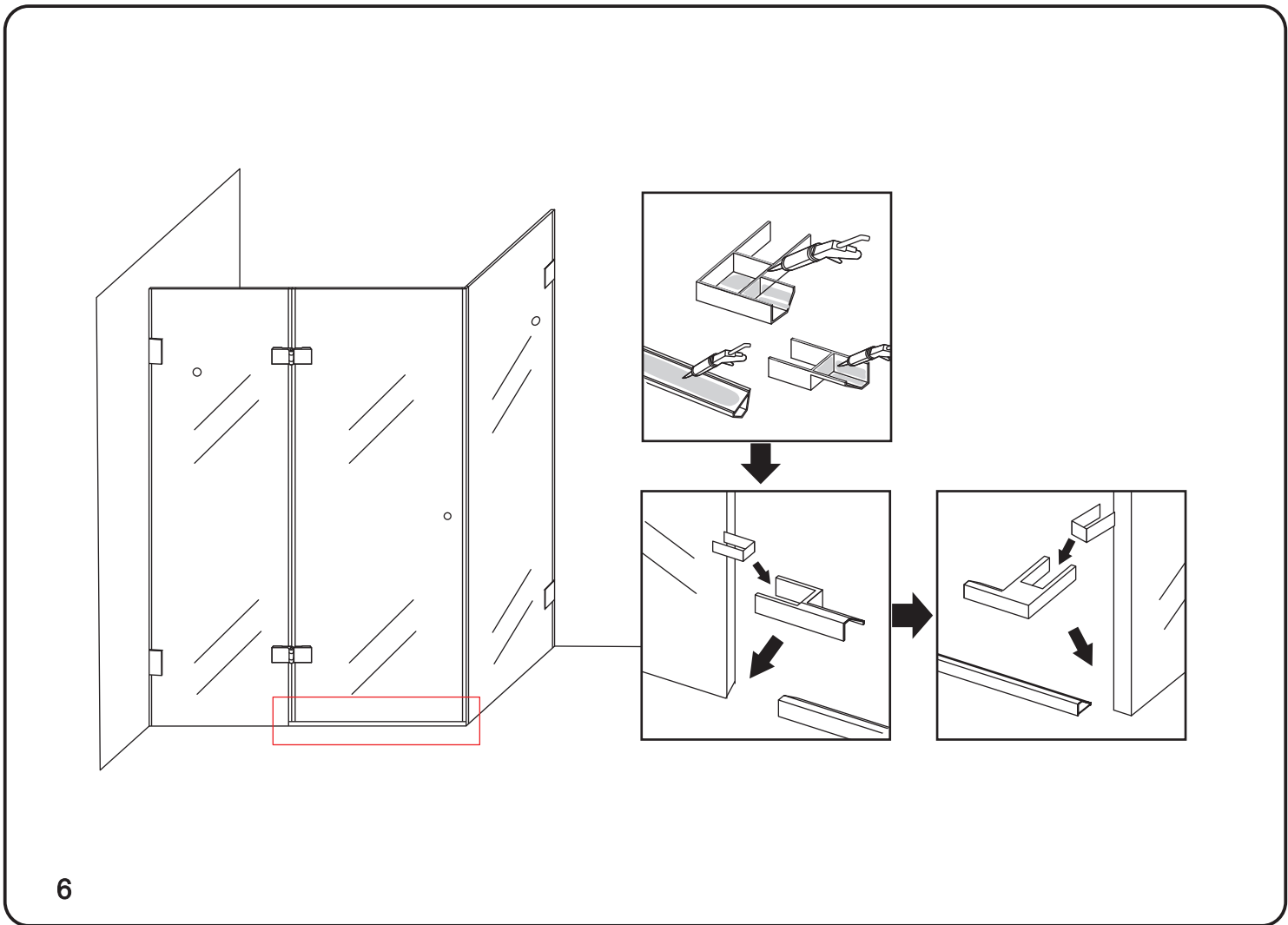
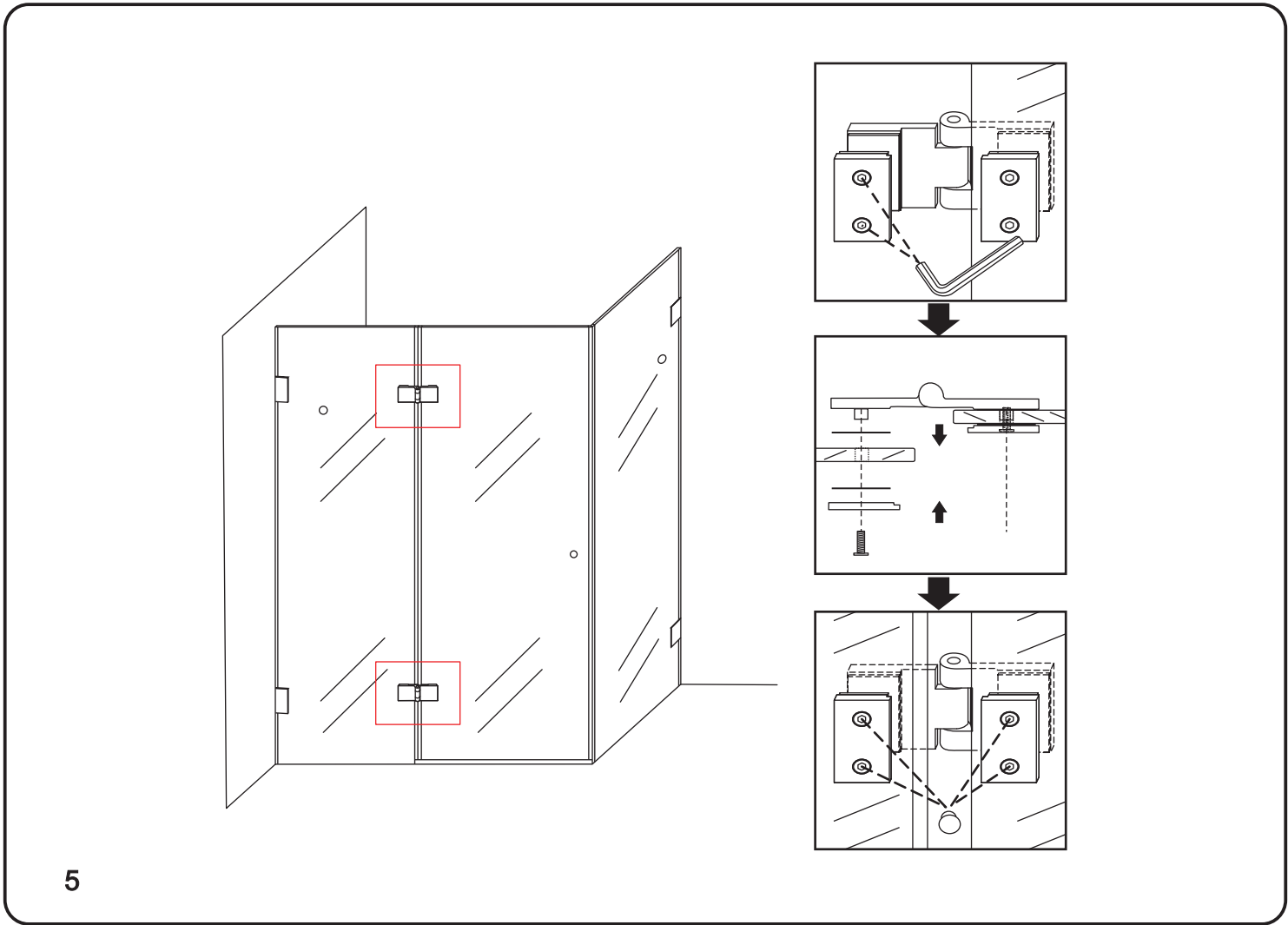


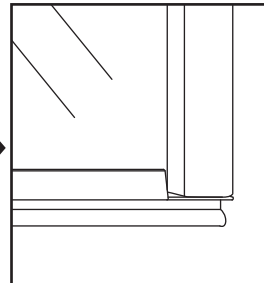
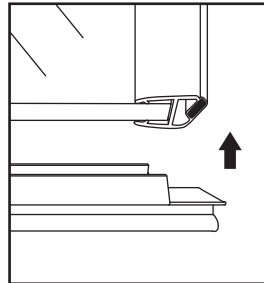
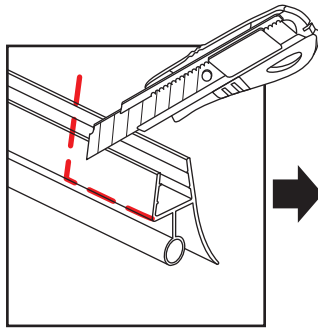
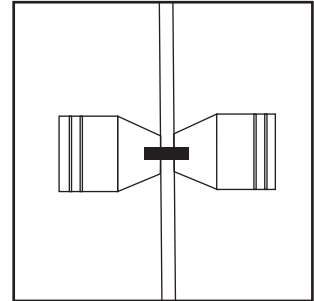
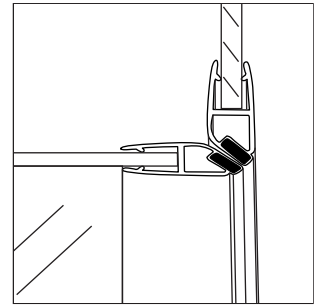
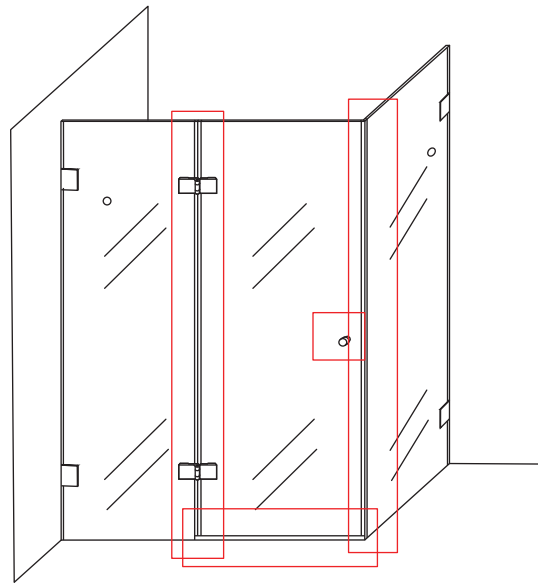
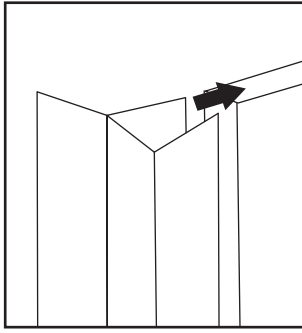
1



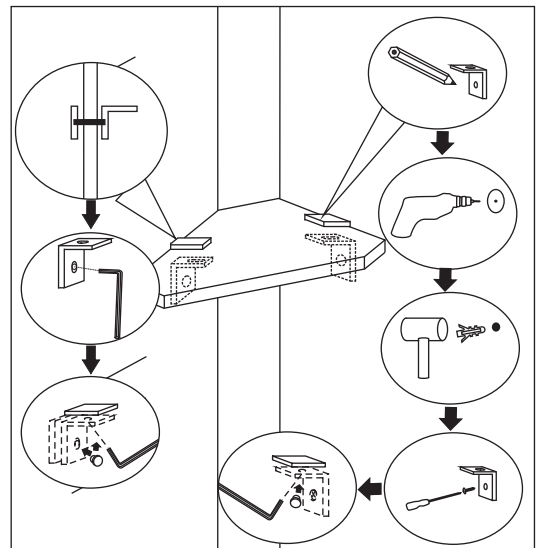
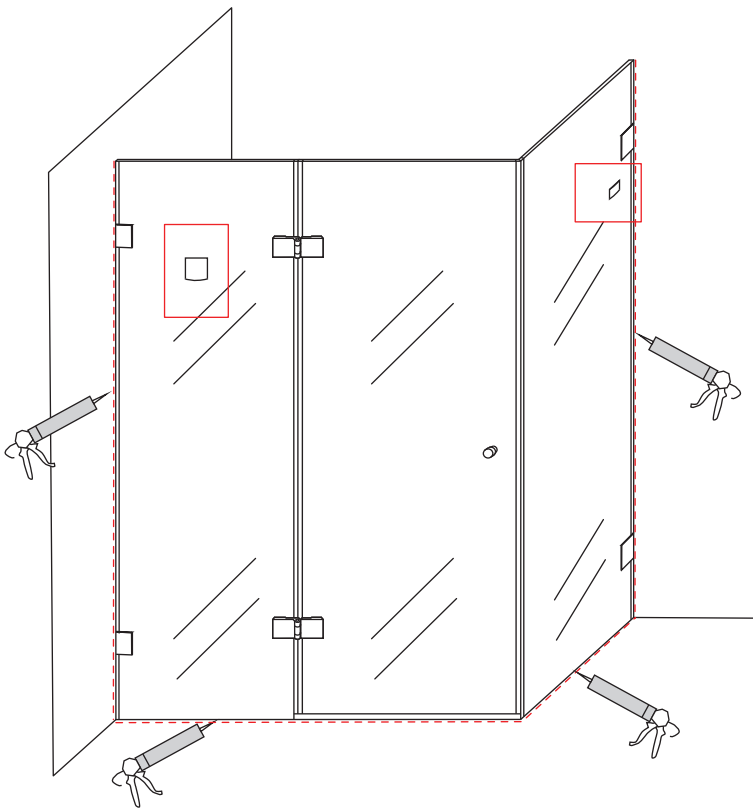
2







7



8