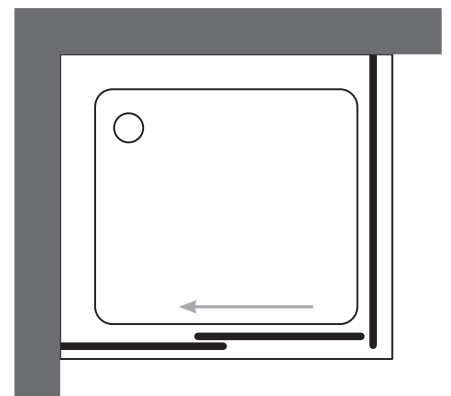
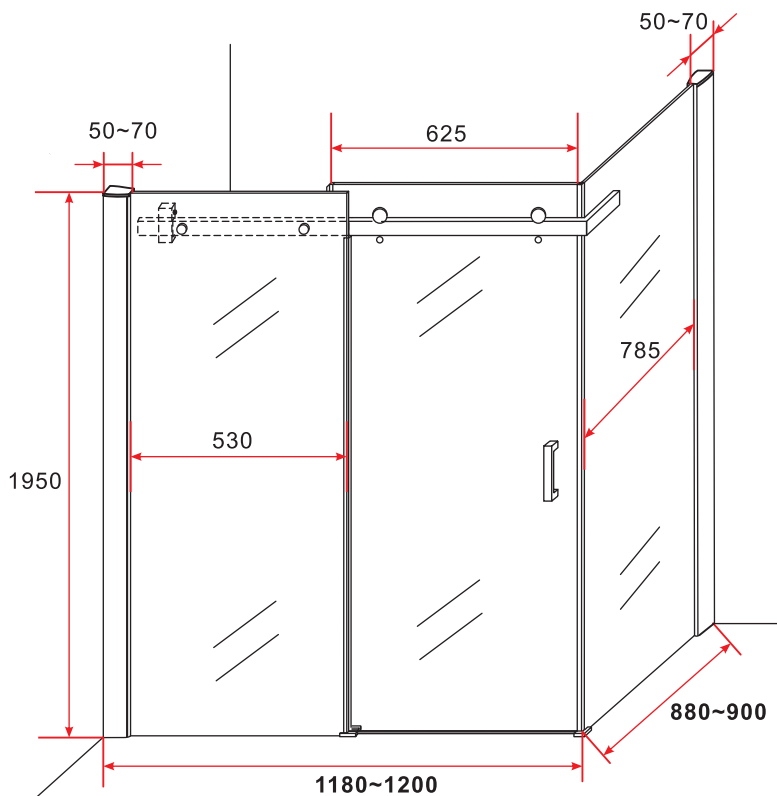


1200x900x1950mm



TECHNICAL DRAWING



INSTALLATION MANUAL



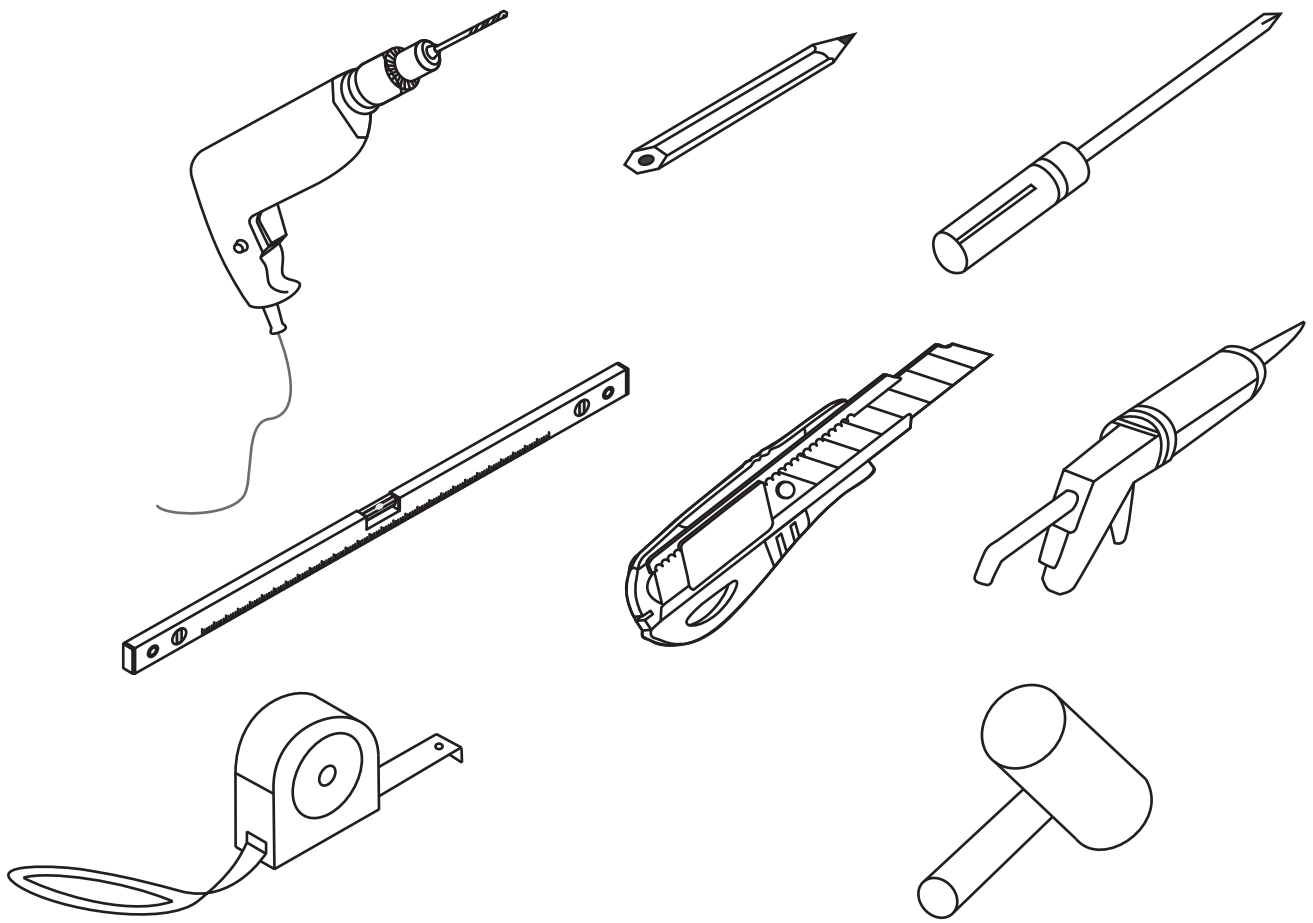
CR045-80120

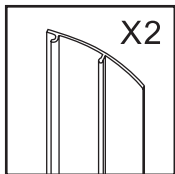
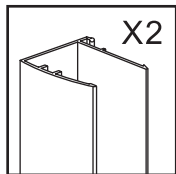
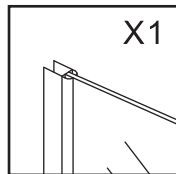
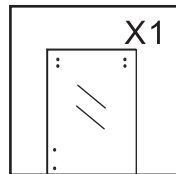
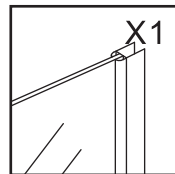
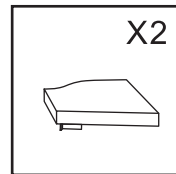
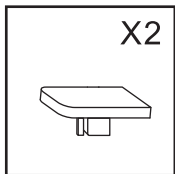
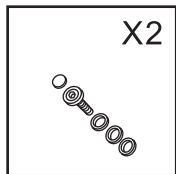
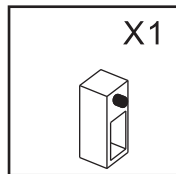
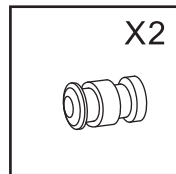
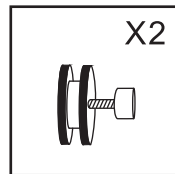
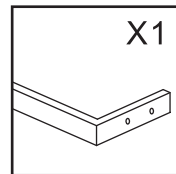
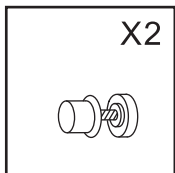
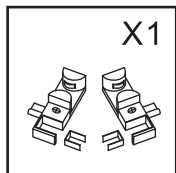
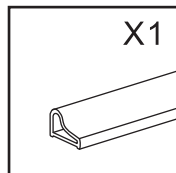
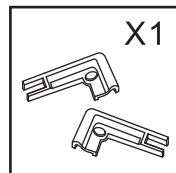
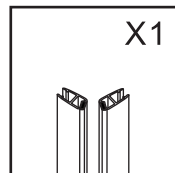
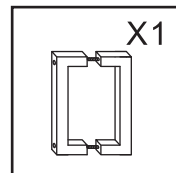
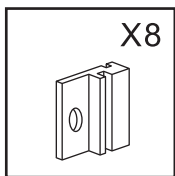
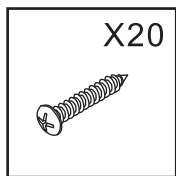
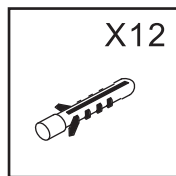
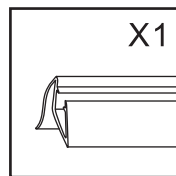
CR045-90120

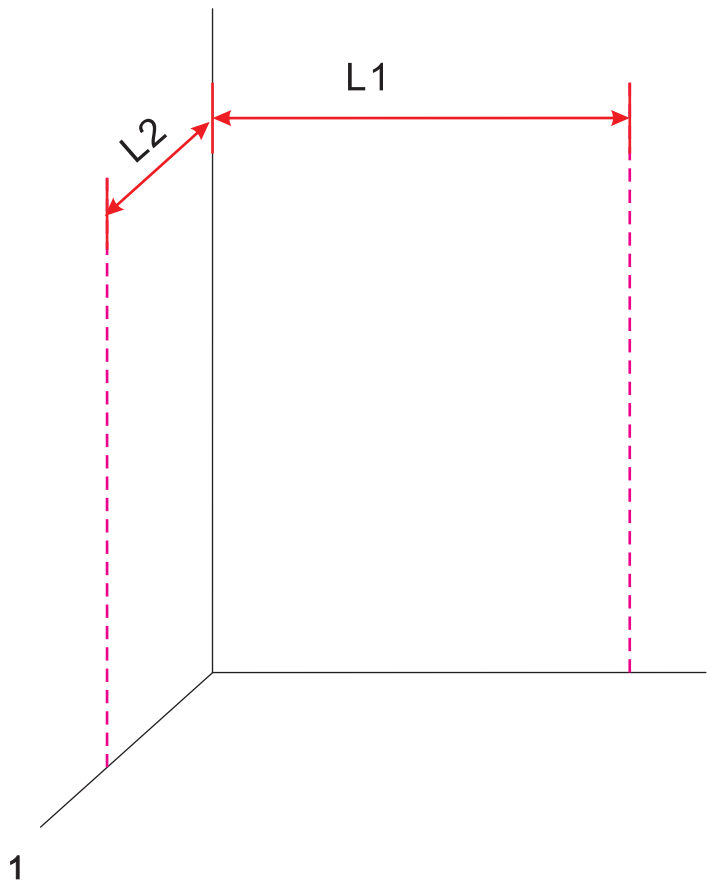
CR045-90140

CR045-90160

RoHS  ISO9001:2008



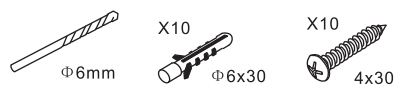
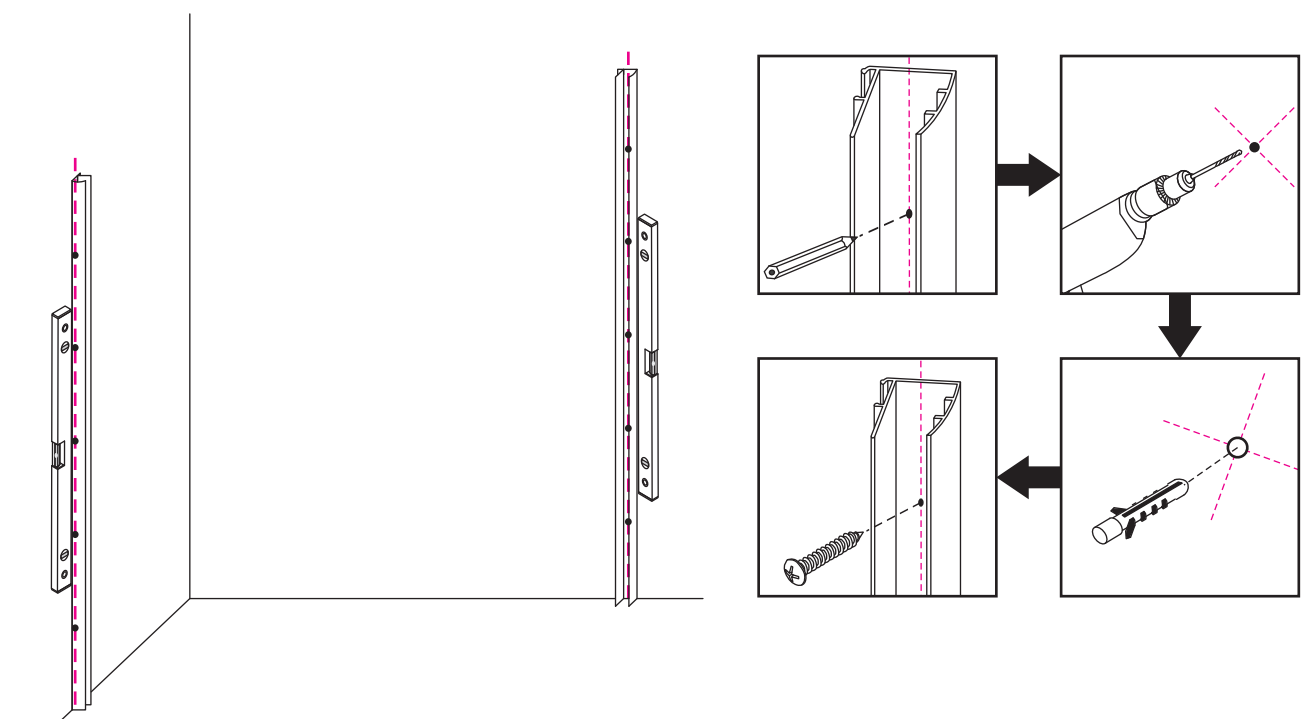
 X2	 X2	 X1	 X1	 X1	 X2
 X2	 X2	 X1	 X2	 X2	 X1
 X2	 X1	 X1	 X1	 X1	 X1
 X8	 X20	 X12	 X1		



SIZE	L1	L2
1180-1200x780-800x1950	1175	775
1180-1200x880-900x1950	1175	875
1380-1400x880-900x1950	1375	875
1580-1600x880-900x1950	1575	875

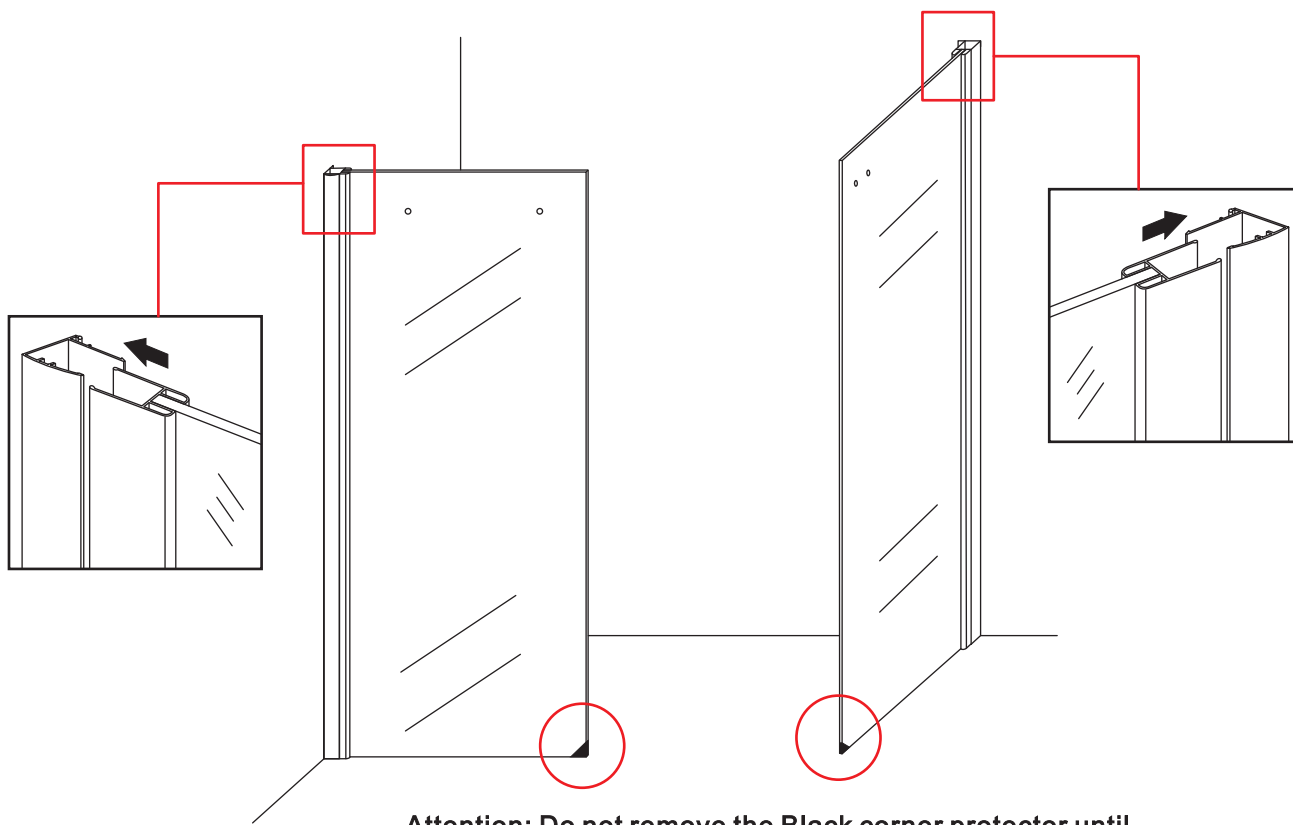
1

Install the wall profile: according the line to install the profile notice: put the profile in middle of line.



2

Install the fixed glass: insert the fixed glass into wall profile.

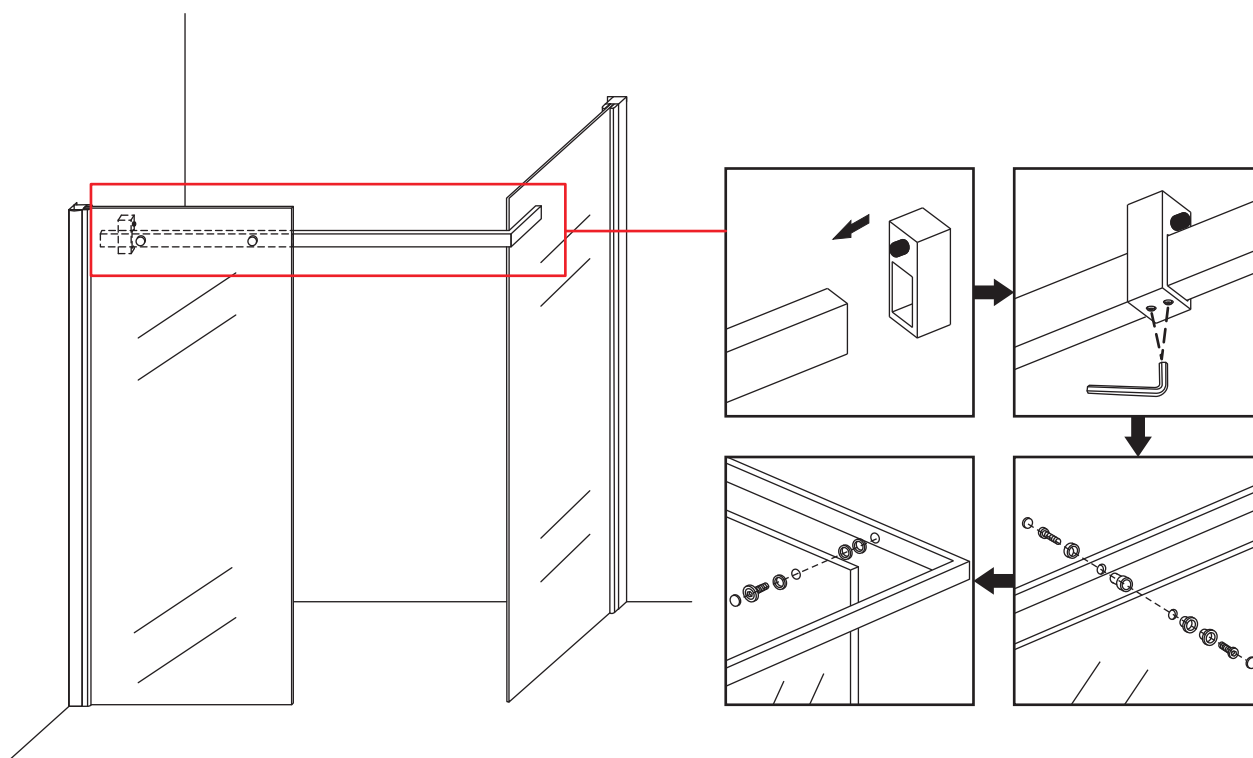


Attention: Do not remove the Black corner protector until insert well the glass into the wall profiles and fit well to prevent glass broken and splitted.



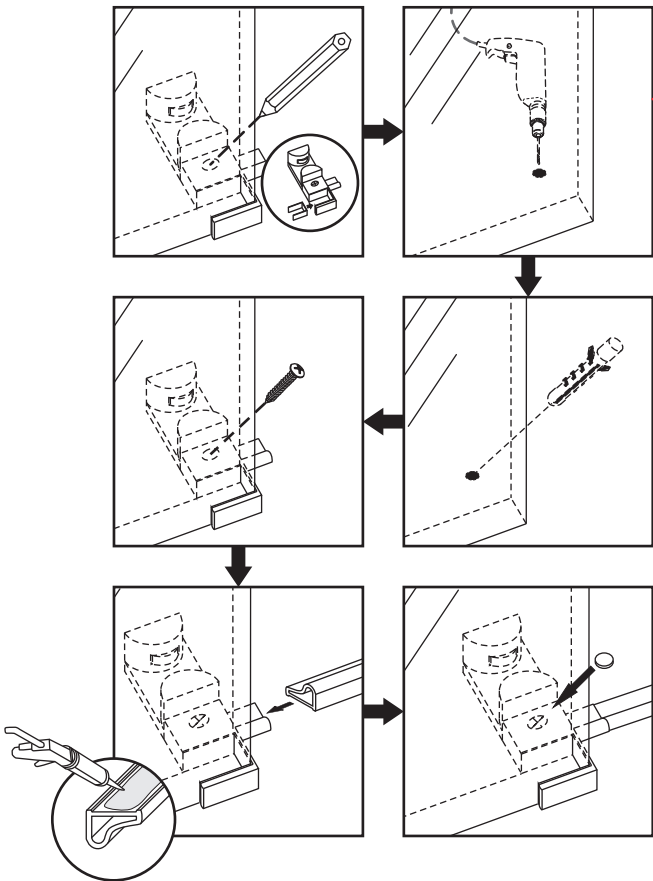
3

Install the "L" guide rail .

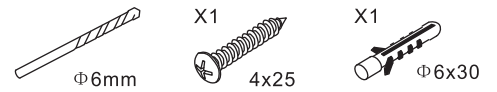
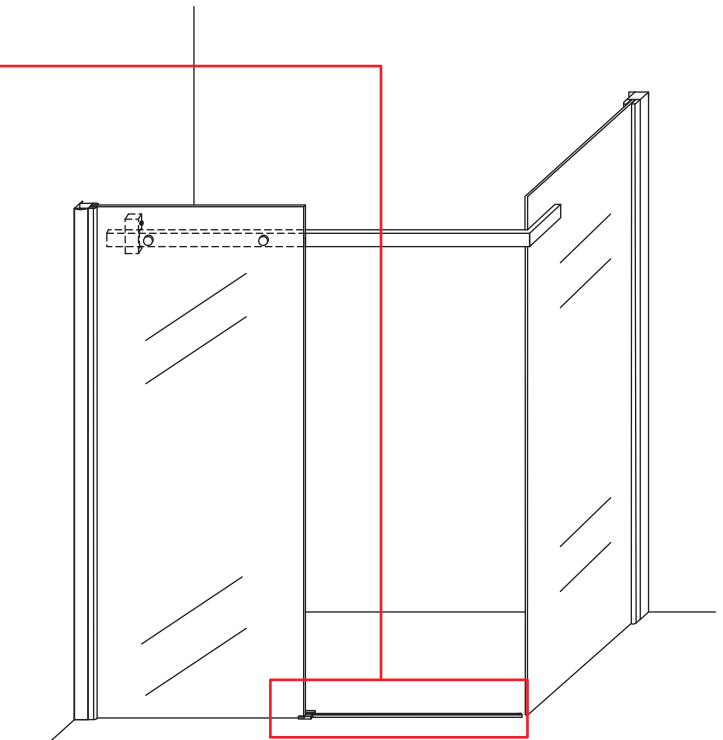


4

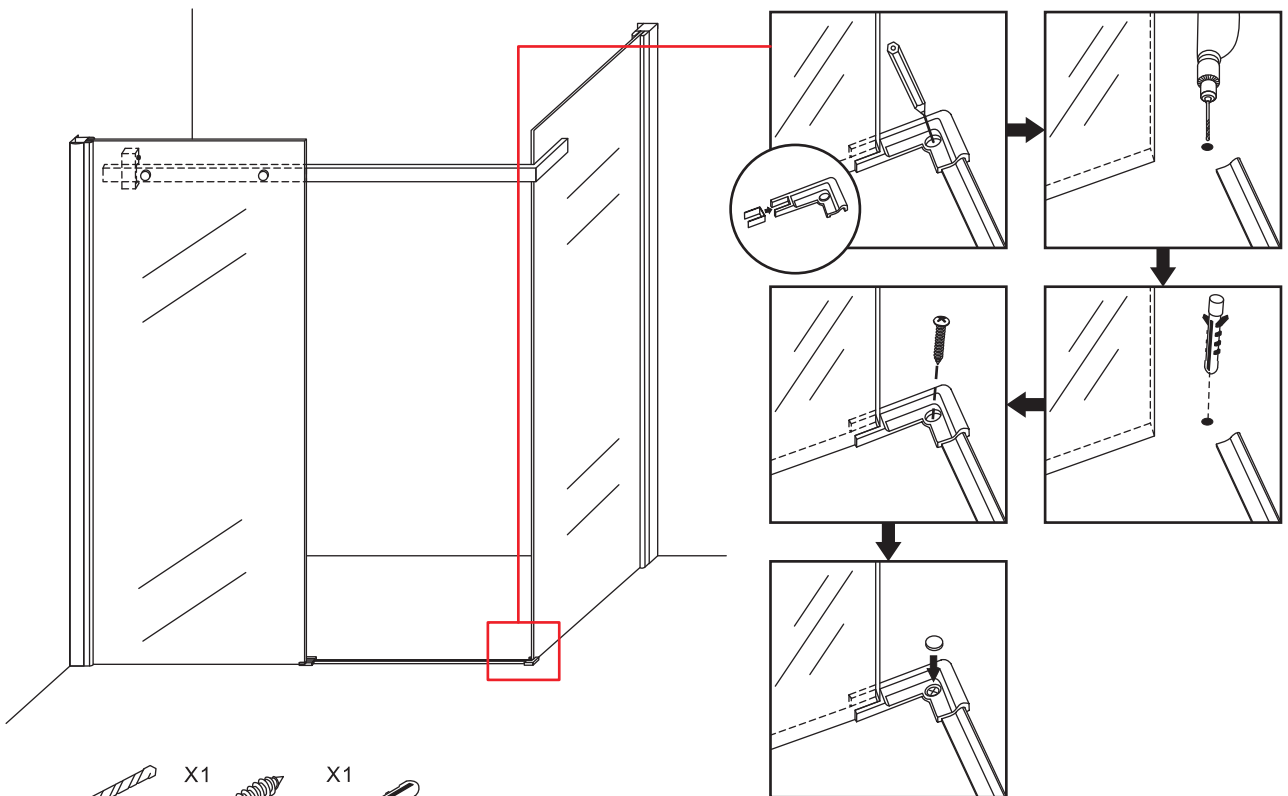
install the decorate part and Aluminum water-proof gasket.



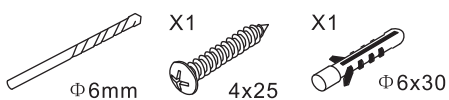
5



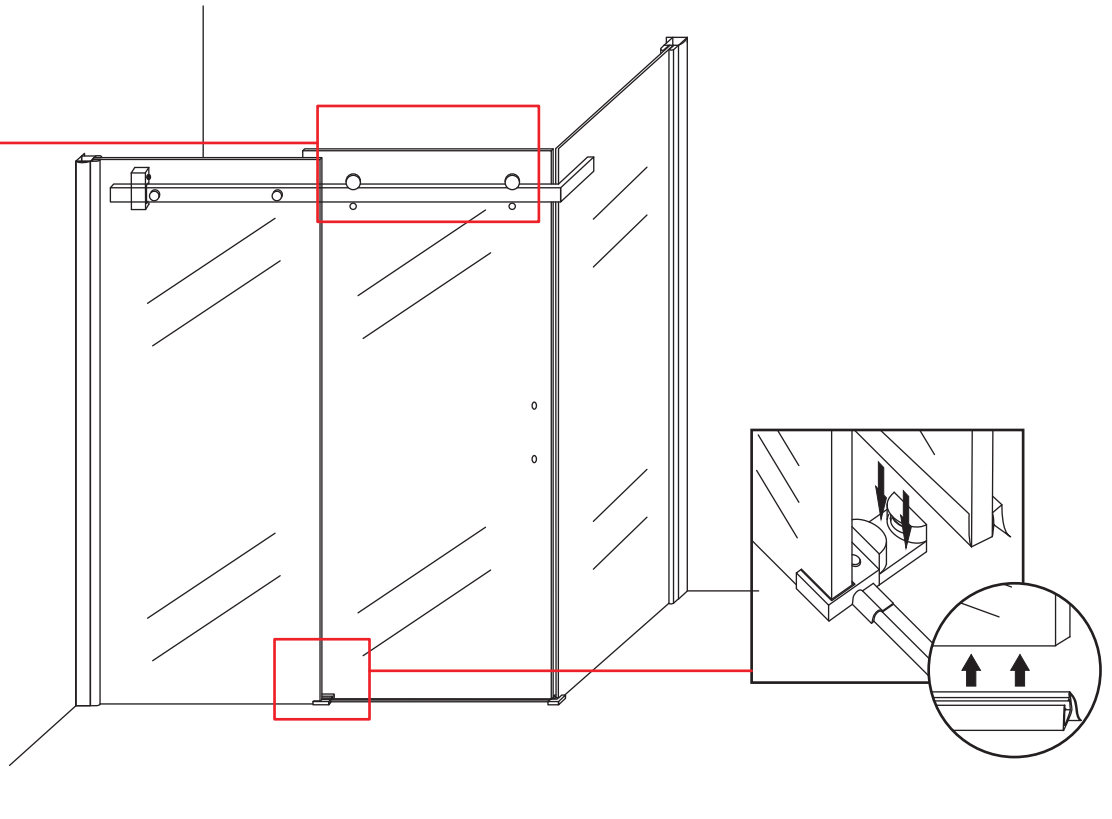
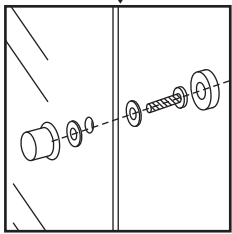
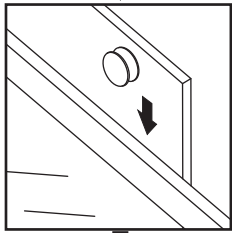
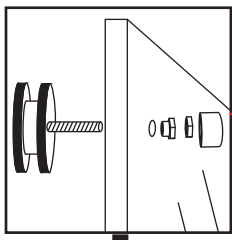
Install the aluminum corner decorate part.



6

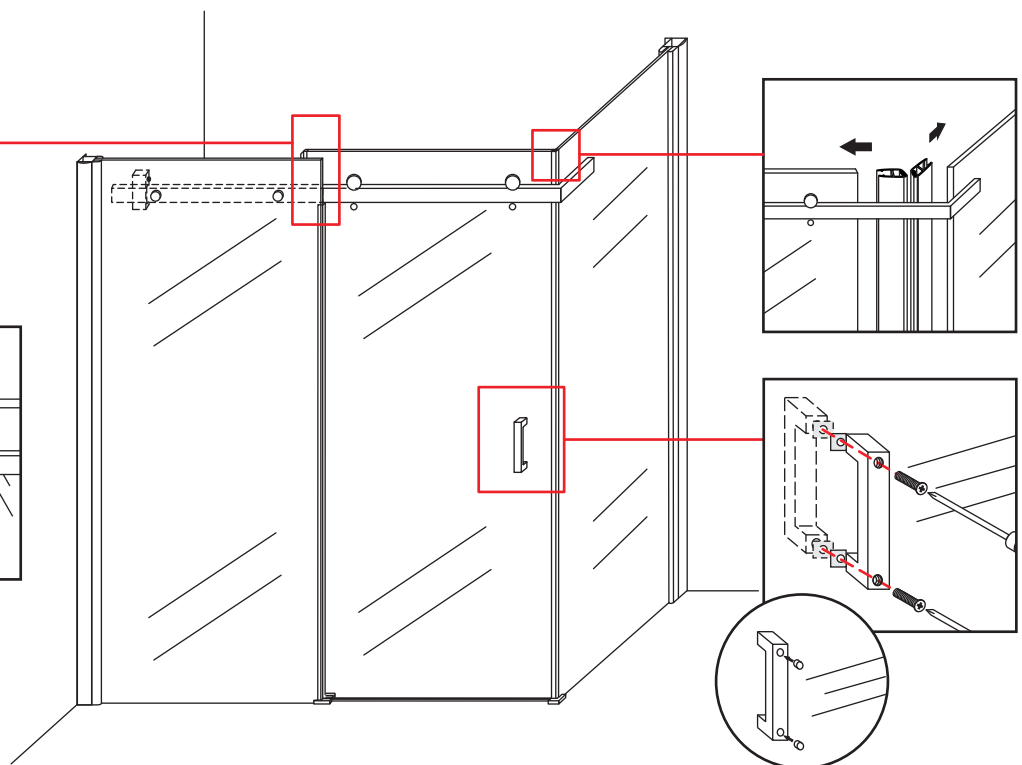
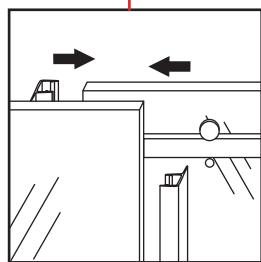


Install the door glass.



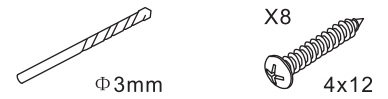
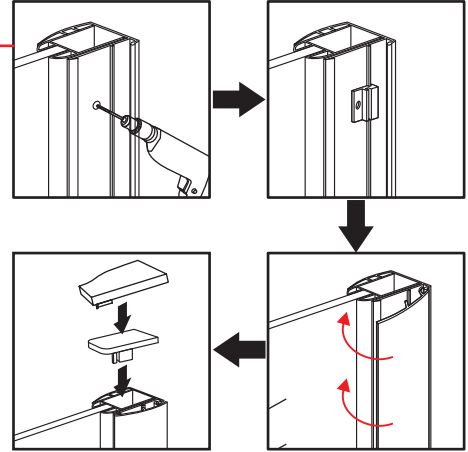
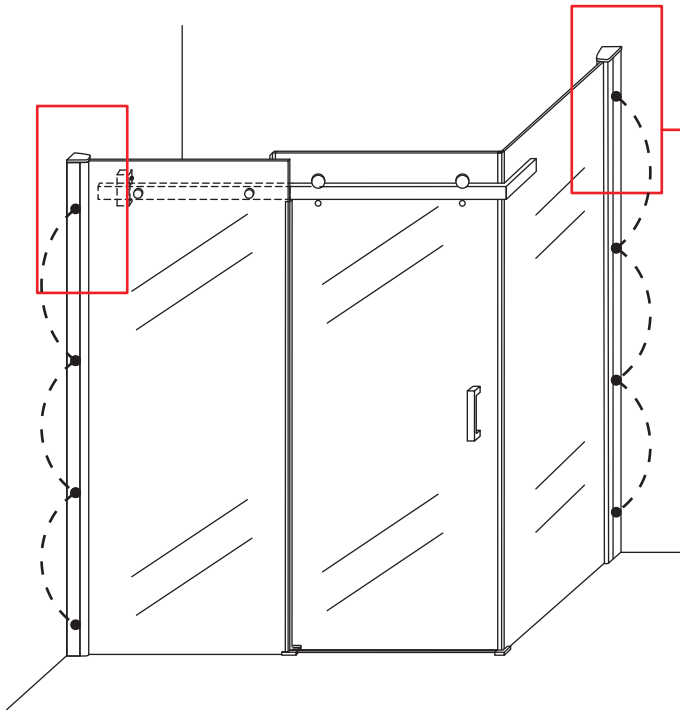
7

1. Install the water-proof gasket.
2. Install the magnetic stripe.
3. Install the handle.



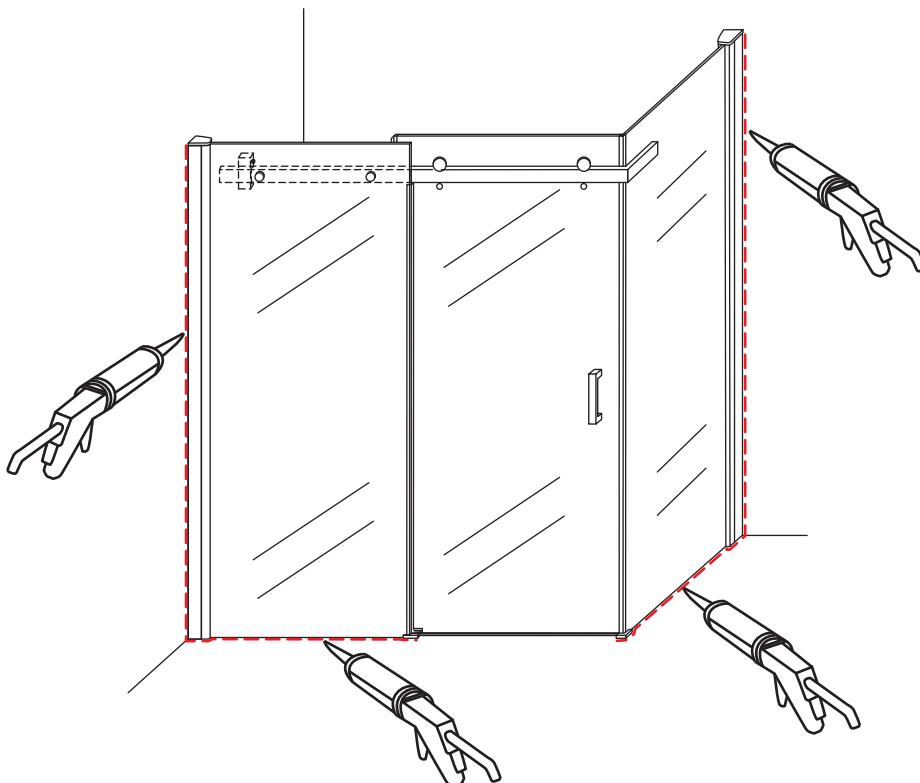
8

Install the decorate profile:install the connect buckle,insert the decorate profile into buckle as picture shows, then install the top decorate cap.



9

Take glue:please keep dry until 24 hour.



10